

Ultrasonic Purge Meters provide accurate and repeatable liquid measurement of critical process flows.

Offering analog output, alarms, and LED display makes this meter ideal for chemical, slurry, and DI water metering.



Ultrasonic Purge Meter

Accurate, Reliable and Repeatable Performance

- Ultrasonic technology for liquid flow measurement
- No moving parts
- Patented sensing technology provides low cost flow measurement
- Digital display and LED indication for % of flow
- Analog output (4-20mA)
- RS485 Communications
- Alarm output, end user configurable
- Zero reset, end user configurable

flow meters

Operation

Ultrasonic Purge Meters combine patented ultrasonic sensing technology with built in LED display and analog output of flow. Opposing sound wave transit times are analyzed to determine the velocity of the liquid flow through the meter. The liquid flow is measured with no moving parts required. A field accessible zero reset is offered for calibration purposes. Ultrasonic purge meters should be mounted vertically with no bubbles in the flow as they may interfere with the sensing technology.

Specifications

MATERIALS

- Wetted parts: *PFA*
- Non-wetted parts: *PABS, PVC, polypropylene, and Viton*

OPERATING

- Accuracy
1/4 size:
± 1% full scale for flows ≥ 500 ml/min.
± 5 ml/min. for flows < 500 ml/min.
3/8 size:
± 1% full scale for flows ≥ 1700 ml/min.
± 17 ml/min. for flows < 1700 ml/min.
- Repeatability
1/4 size:
> 1.0 l/min. - 0.5% full scale
< 1.0 l/min. ± 5 ml/min.
3/8 size:
> 17 ml/min. - 0.5% full scale
< 17 ml/min. ± 8.5 ml/min.
- Fluid temp: 10 - 60°C
- Ambient temp: 0 - 50°C
- Maximum pressure: 60 PSIG
- Viscosity: 0.3 - 40 cST
Centistokes cST = Centipose (cp)/SG
- Consult factory for special applications/calibrations

ELECTRICAL

- Input power: 24 VDC ± 10%
- Analog output: 4-20mA,
Alarm: 1 point, open collector
(30 VDC, 20mA max.)
- Communications: RS485
- CE compliant
- IP64 enclosure (indoor use)

Configuration Options

STYLE

- Panel Mount

CONNECTION SIZES

- 1/4" and 3/8" tubing connection

Ordering Information

To order, select model, flow range, connection size, and cable length from the following tables. Contact Futurestar for information on additional flow ranges and custom configurations.

Example: 5UP005-21AA

CONFIGURATIONS

Ultrasonic Purge Meter	5UP
-------------------------------	------------

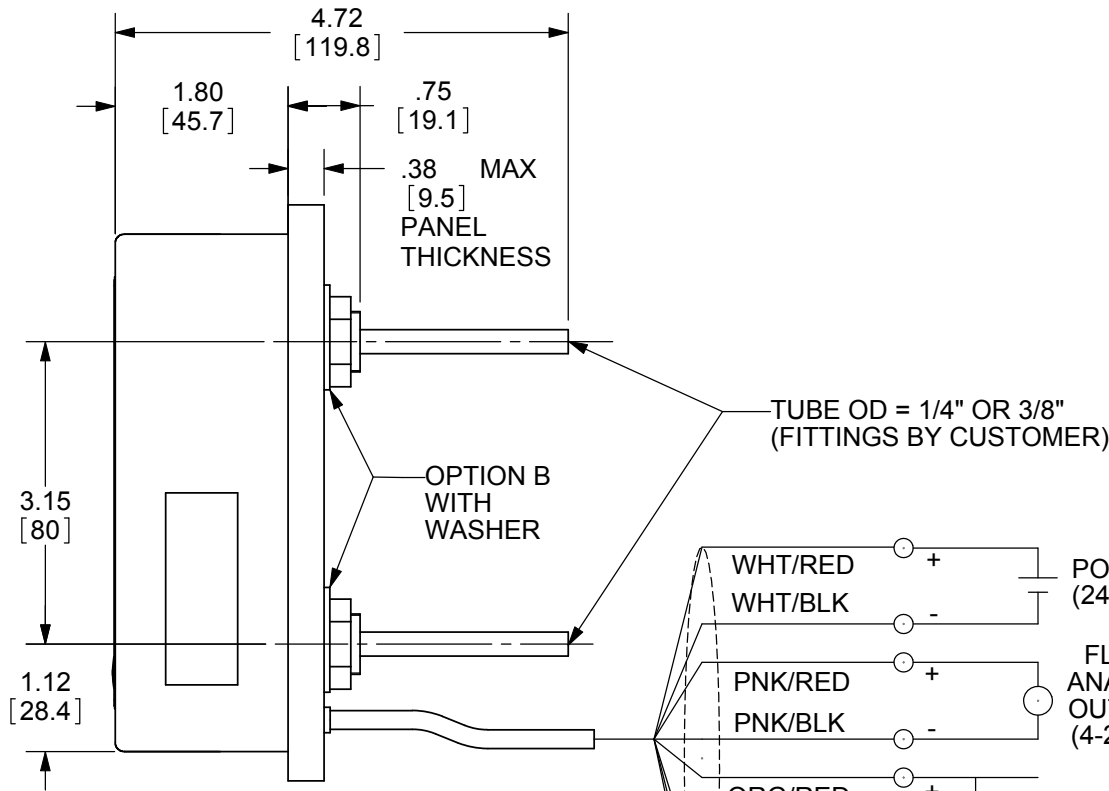
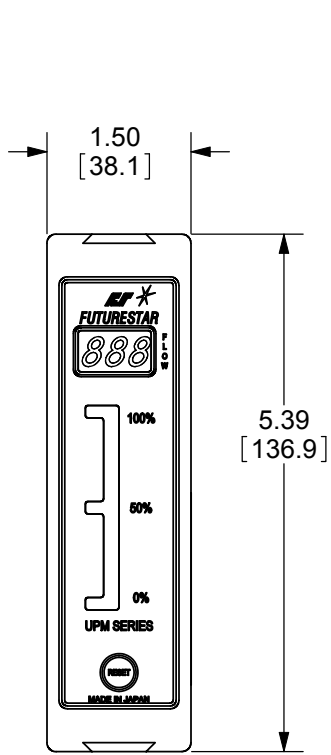
FLOW RANGE (ml/min.)	002	0-200	(1/4" or 3/8" tube)
	005	0-500	(1/4" or 3/8" tube)
	010	0-1000	(1/4" or 3/8" tube)
	020	0-2000	(1/4" or 3/8" tube)
	030	0-3000	(1/4" or 3/8" tube)
	040	0-4000	(3/8" only)
	050	0-5000	(3/8" only)
	060	0-6000	(3/8" only)
	070	0-7000	(3/8" only)
	080	0-8000	(3/8" only)

CONNECTION SIZE	2	1/4" tube
	3	3/8" tube

STYLE	1	PANEL MOUNT
--------------	----------	-------------

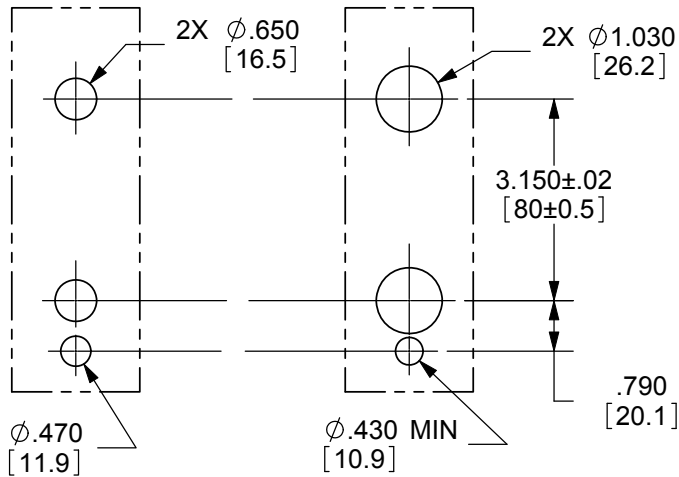
CABLE LENGTH	A	6' pigtail PVC shielded electrical cable
---------------------	----------	--

OPTIONS	A	None
	B	Panel Mount washer (allows for prefabrication of flare or fitting onto tube)

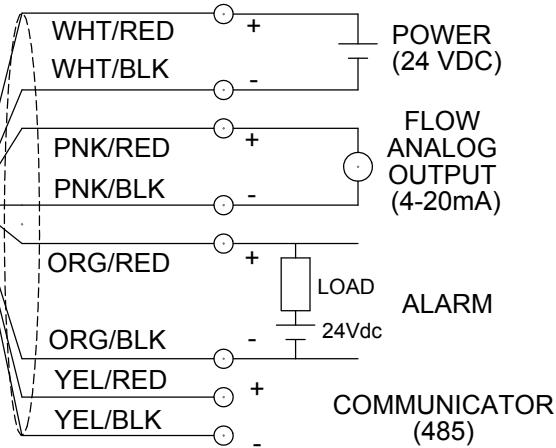


OPTION A
SCALE 1:3

OPTION B
SCALE 1:3



PANEL CUTOUT REFERENCE



INSTALLATION DRAWINGS

U.S. Patents: 5565631, 5549277, 5381826, 5078004 • Others pending
 Futurestar®, Pathfinder®, Odyssey®, Sentinel® and AutoValve® are registered trademarks of Futurestar Corp.
 Super 300 Type Pillar Fitting® is a trademark of NIPPON PILLAR PACKING CO., LTD.

Futurestar Corporation • 1470 Lake Drive West • Chanhassen MN 55317
 952 942 8388 • 952 942 8661 fax • futurestarcorp.com

©2015 Futurestar Corp., Printed in the USA

